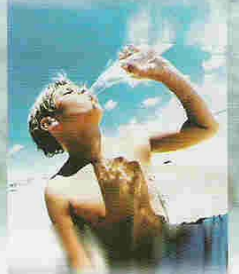
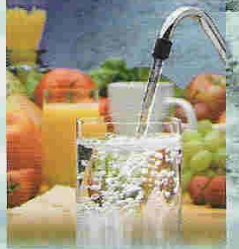


PALLAS DUO



The new duplex water softener

- compact
- attractive design
- soft water all day long
- the ideal combination of elegance and technology



PALLAS DUO

The new duplex

THE HARDNESS OF WATER

The hardness of water causes many problems in dishwashers, coffee makers, irons, shower heads, faucets... Even the pipes can completely clog due to the limescale that settles and hardens. Pallas® launches the new Duo; a new generation of softeners that is suitable for all domestic and small commercial applications (e.g. cafeterias, restaurants,...)

Moreover, by choosing the Pallas® Duo you will save considerably on the use of soap and cleaning liquids necessary for washing clothes and crockery.

FUNCTIONING

The Pallas® Duo is a duplex device equipped with two resin tanks. This guarantees soft water all day long. As soon as one of the tanks is exhausted, regeneration starts and at the same moment control switches automatically to the other tank that continues to deliver soft water.

Regeneration is only started when a capacity that was programmed in advance is consumed. The consumption of water is registered by an accurate digital meter that is connected to the electronic control.



For the regeneration, upflow brine was deliberately chosen. This is why the Pallas® Duo is an extremely economical unit for salt consumption. The salt used to regenerate is packed in bags of 10kg so that no space is lost to a large salt tank.

The device can deliver completely soft water but offers also the possibility to allow passing a certain quantity of remaining hardness. Adjusting the button of remaining hardness is sufficient.

PALLAS DUO

10

water softener

TOP SIDE OF THE PALLAS® DUO

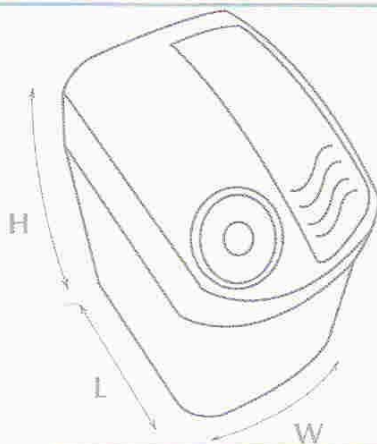
At the top of the device there is a simple electronic control with which all parameters are adjusted. The salt lid slides open so that the salt can be easily added.



DIMENSIONS AND DESIGN

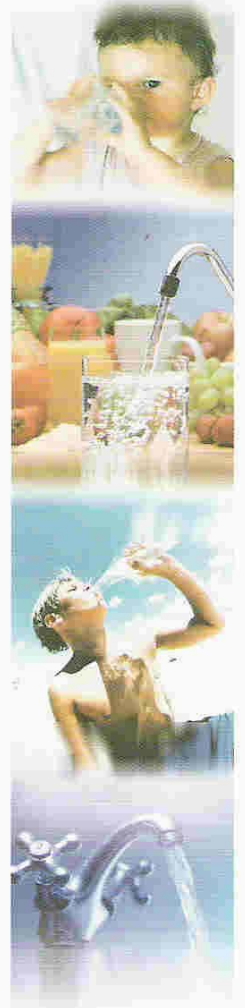
The dimensions and the design of the Pallas® Duo are revolutionary. A water softener is usually placed in a garage or a cellar but due to the small dimensions, the unit can also be put in other places, such as in a cupboard or under the kitchen sink.

For small commercial use, the unit can be put in the supply tube to the machine it should protect; e.g. a percolator, a dishwasher, a pressure cooker.... Due to the small dimensions there is always some place available to install the unit.



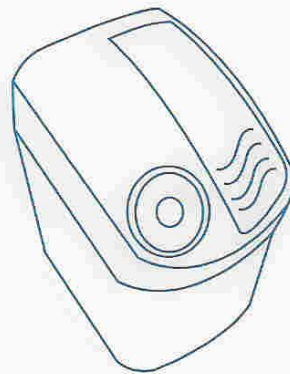
- H • Height: 52 cm
- L • Length: 42 cm
- W • Width: 31 cm

- Weight: 22 kg



TECHNICAL CHARACTERISTICS

Resin volume:	2 x 6 L
Control:	electronic
Inlet / Outlet:	1" or 3/4"
Drain:	1/2"
Nominal flow rate:	1,2 m ³ /h
Peak flow rate:	3,0 m ³ /h
Electrical rating:	24V - 50Hz
Working pressure:	1,8 to 8,5 bar
Working temperature:	1°C to 40°C
Remaining hardness regulator:	yes (optional)
Upflow regeneration:	yes



THE ADVANTAGES OF THE PALLAS® DUO



- Very small dimensions, so the softener can be put anywhere.
- Soft water 24h a day.
- Very attractive design.
- Upflow regeneration with soft water so that you save on salt and regeneration water.
- Equipped with food grade quality resins.
- Fully automatic volumetric function. Only adding salt, now and then, required.

